

**INSTALLATION GUIDE  
FOR SERIES 5100, 7100 & 7700 DOORS**

**BEFORE STARTING:**

**CAUTION:** If this product is being installed next to a copper based wood preservative, a barrier **must be** installed between the treated lumber and this product to prevent a reaction between the metal and the preservative.

**ATTENTION:** These series doors have been tested, per ASTM E330, to meet the structural requirements of Coastal Building Codes. For installation in coastal building zones, see the special instructions found at the end of these instructions.

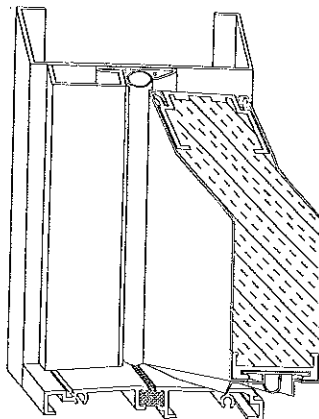
1. Read these instructions completely **BEFORE** starting to install the door.
2. The rough opening that this door is to be installed into **MUST BE** square, plumb and should be no more than ½" wider and ½" higher than the O.S.M. of the door frame. This will ease the installation of the door and help insure proper operation of the door after installation.
3. The stiles and rails of the door panel are aluminum for the 5100 model and a fiberglass reinforced pultrusion for the 7100 & 7700.
4. **See the illustration at the bottom of page three for information on how to install the reflective jamb insulation strips to prevent possible air infiltration between the components.**
5. If the door panel is removed from the frame and rotated, the sweep must also be reversed. See step #4 below.
6. The weather seal is shipped loose in the door carton and is intended to be installed after the door has been installed and the snap-in parting stop has been installed into the frame header.

**TOOLS REQUIRED:**

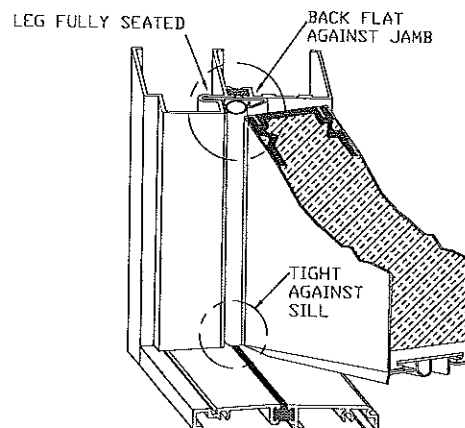
Tape measure, square, level, drill, 1/8" drill bit, two (2) sawhorses, and a #2 Phillips screwdriver.

**DOOR INSTALLATION**

1. Remove the door from the carton and LAY IT ON THE SAW HORSES WITH WHAT WILL BE THE OUTSIDE OF THE DOOR FACING UP and the hinge side of the frame in the desired position
2. Check the rough opening to be certain that it is plumb and square. Installing this unit in an "out of square" opening will necessitate the use of additional shimming material and may affect the operation of the door after installation.
3. Remove the screw pack that will be found taped to the inside of the snap-in header parting stop.
4. With plain style **5100 Series doors only**, it may be necessary to switch the location of the door sweep and the top filler strip depending on the handing and/or swing of the door. To do so, remove the screw at the end of the sweep and filler strip, slide each out of the retaining track, switch to the opposite end of the panel, slide them into the retaining track and re-install the screws. **This does not apply to 7100 or 7700 Series doors.** For these models, simply slide the sweep out of the track, rotate it and reinstall it into the track. A screw head will engage in the hole in the center of the sweep. When installing the sweep, be certain that the offset leg of the sweep is toward the jamb weather seal and the longest leg of the sweep **must be** on the same side of the panel as the hinge knuckles are. See the illustration below.



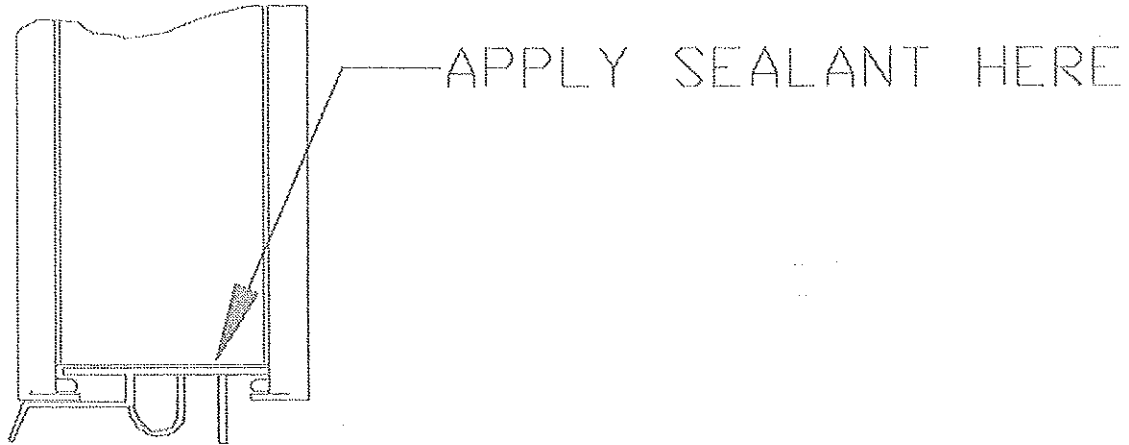
5. **NOTE:** If the dead bolt option is to be used, apply the dead bolt strike plate to the lock jamb at this time. To do so, open the door panel away from the lock jamb. Remove the vinyl plug in the jamb that corresponds to the location of the dead bolt latch. Center the hole in the strike plate over the hole in the jamb. Using the strike plate as a template, trace the location of the screw holes onto the lock jamb. These holes should be approximately 13/16" from the edge of the jamb and 2 1/8" apart. Mark the center of the traced holes with a center punch and drill 1/4" diameter holes at those locations. Attach the strike plate to the lock jamb with machine screws and starred lock nuts provided with the dead bolt assembly.
6. Apply beads of caulk to the support legs of the sill to prevent water infiltration beneath the sill.
7. Set the door assembly into the rough opening. **NOTE:** The door panel is centered in the frame assembly by self adhesive spacers located between the lock jamb and the door panel. **DO NOT** remove these spacers until after the installation is completed.
8. Before opening the door, check the metal frame to be certain that it is square and plumb. Shim if necessary.
9. **NOTE:** For installation of this unit into a metal frame rough opening, use appropriate sized, customer supplied, fasteners and proceed as instructed in steps numbered ten and eleven, except that the fasteners should be installed through the metal rough opening frame and into the return legs on the backside of the door frames.
10. **NOTE:** The screw pack contains six painted and twelve unpainted #10 x 3 1/2" Phillips flat head wood screws for installing the door assembly into a wood frame rough opening. The painted screws are to be used along the jamb edge where they will be exposed, four on the lock jamb and two on the hinge jamb. The unpainted screws are to be used as follows: one through the empty, center, hole of each hinge, four near the parting stop of the hinge jamb and the remaining five near the parting stop of the lock jamb. These near the parting stops will be concealed by the weather seal after it is installed. Predrilling 1/8" holes into the wood rough opening framing will help ease the installation of the screws.
11. Install the three screws through the hinges first. Then, alternate installing screws through the lock and hinge jambs to help insure that the frame remains square. Check often and shim as needed. Use caution so not to distort the metal frame, either by shimming or over tightening the screws.
12. Install the parting stop into the frame header at this time. Do this by inserting the longest leg on the parting stop into the single, bottom, groove in the frame header. Squeeze the parting stop and frame header together until the second leg of the parting stop snaps into the remaining groove in the header.
13. Remove the adhesive backed rub pads from each end of the lock jamb. Install the weather seal into the jambs at this time. The rigid, ribbed, leg of the weather seal is to be inserted fully into the slot in the parting stop. Start at the sill end of each jamb and work to the top. **Be certain** that the weather seal contacts the sill to ensure a proper seal. **NOTE:** Be certain that the leg is fully seated into the slot so that the backing of the weather seal lies flat, tight against the jamb. See the drawing below. Failure to do so may result in the edge of the door panel catching the weather seal as the door closes. If this happens, the weather seal will fold over and take a permanent set which will not provide a good seal in that area. Install the weather seal into the slot in the snap-in parting stop header by first centering it between the vertical weather seals, with the ends slightly overlapping the vertical parts, and then pushing the ribbed leg into the slot. Once again, be certain it is fully seated into the slot.



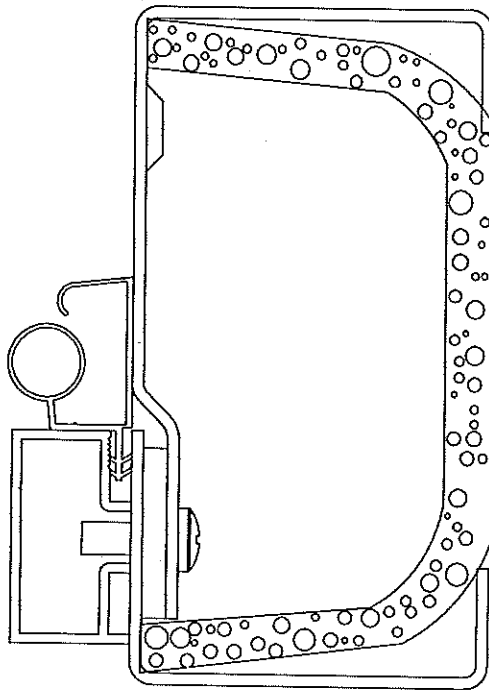
14. Remove the cardboard spacer from the door panel.
15. Install the lockset as per the manufacturer's instructions, except use the two #8-32 x 3/4" special combination thread screws found in the lock bolt area of the door perimeter to attach the lock bolt to the door. **Apply a thread locking solution to the screws prior to installing them to insure that they do not work loose as the door is used.** The holes in the lock jamb, to which the strike plate is mounted, are elongated to allow for lateral adjustment of the strike plate. The screws are secured with

a starred lock washer nut. You may hold the nut by inserting your finger through the latch lock hole and against the nut.  
**CAUTION:** Do not loosen the screws too far. If the nut falls off the screw it will be necessary to remove the entire door frame assembly to retrieve the nut.

15. Apply caulk across each end of the sweep to help prevent water infiltration at this area. See the illustration below.



**NOTE:** This door is reinforced for the installation of a door closer, dead bolt and/or panic hardware. However, doors with a 22 x 36 lite will not have the panic hardware reinforcement on the hinge side unless it is special ordered, in which case the reinforcement will be located below the lite area. Either sheet metal or wood screws or tapped machine thread screws may be used for the attachment of these items. **FOR DOORS OVER 36" WIDE** we recommend that thru bolts be used to attach the closer. **DO NOT EXPECT THE CLOSER TO ACT AS A DOOR STOP!!!** Follow the instructions packed with the closer or panic hardware for installation.



**NOTE:**

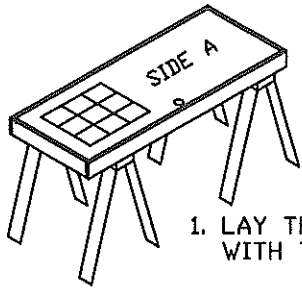
The illustration shows a series 7100 or 7700 frame. However, the insulation strip is inserted the same way for all model doors it is supplied with.

**Additional instructions for the door installation to meet structural Coastal Building Zones:**

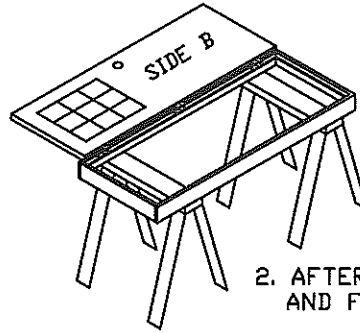
1. A Grade 2, or better, lockset must be used.
2. Remove the machine screws and locknuts that attach the strike plate to the jamb.
3. Carefully shim between the lock jamb and the wood rough opening at the strike area, being careful not to bow the frame.
4. Reattach the strike plate using the #10x3½" screws provided, going through the strike, jamb and into the wood rough opening, again taking care not to bow the frame. If a dead bolt is not used, the two additional #10x3½" screws must still be used (a total of 12 on the lock jamb). On some door models it may be necessary to drill holes for these screws.
5. Refer to the following detail drawing for proper fasteners for steel, concrete, and masonry installations. These fasteners are not included with the door, and must be provided by others.

# HINGE REVERSING PROCEDURE FOR PREHUNG 4-WAY DOORS WITH FACTORY INSTALLED WINDOW

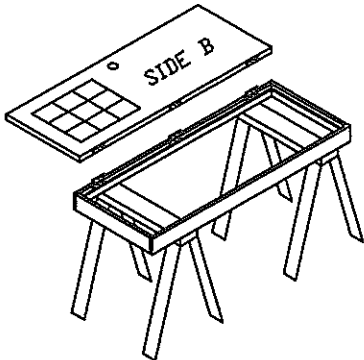
4-12-01  
TCL  
HINGEREV4.DWG



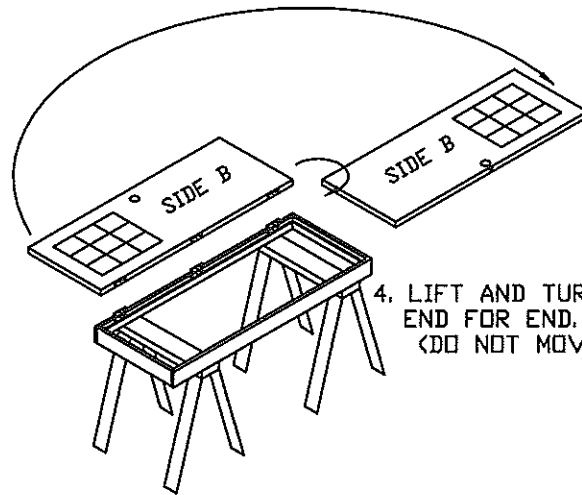
1. LAY THE DOOR ON SAW HORSES WITH THE HINGE KNUCKLES UP.



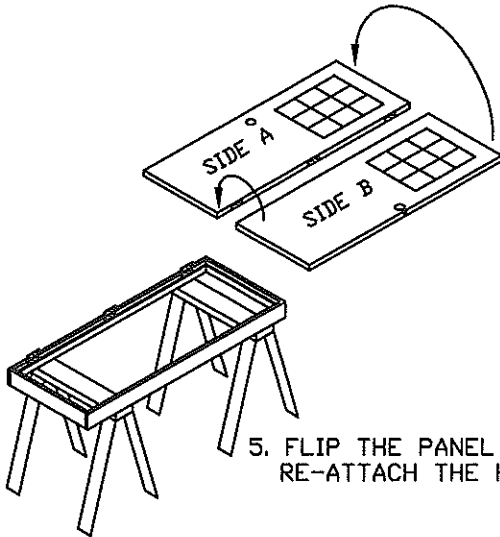
2. AFTER REMOVING THE RETAINING CLIP AND FRAME SPACERS, OPEN THE DOOR.



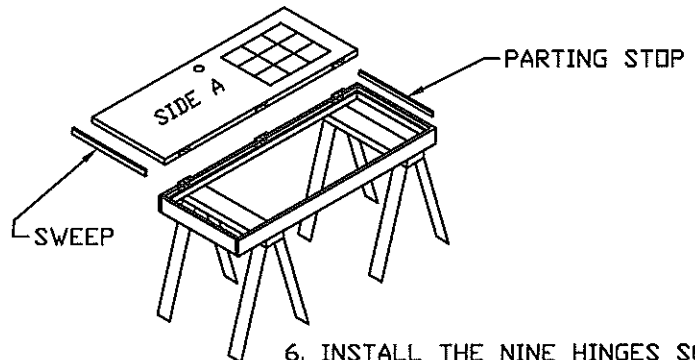
3. REMOVE THE NINE HINGE SCREWS FROM THE DOOR PANEL.



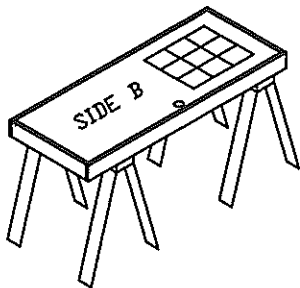
4. LIFT AND TURN THE PANEL END FOR END. (DO NOT MOVE THE FRAME.)



5. FLIP THE PANEL OVER TO RE-ATTACH THE HINGES.



6. INSTALL THE NINE HINGE SCREWS WHICH WERE REMOVED IN STEP 3.



8. CLOSE THE DOOR PANEL BACK INTO THE FRAME AND REPLACE FRAME SPACERS

7. INSTALL THE PARTING STOP AT THE TOP OF THE DOOR FRAME. INSTALL THE SWEEP AT THE BOTTOM OF THE DOOR PANEL--REFER TO THE INSTRUCTION SHEET FOR CORRECT ORIENTATION.



NOTE: DOORS WITHOUT LITES MAY BE ROTATED AND TURNED TO ACHIEVE THE DESIRED SWING WITHOUT REMOVING THE FRAME.