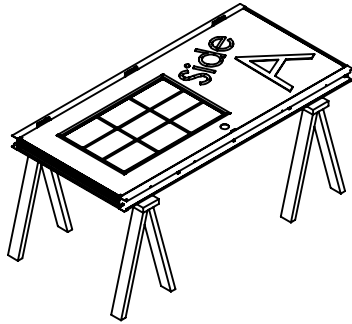


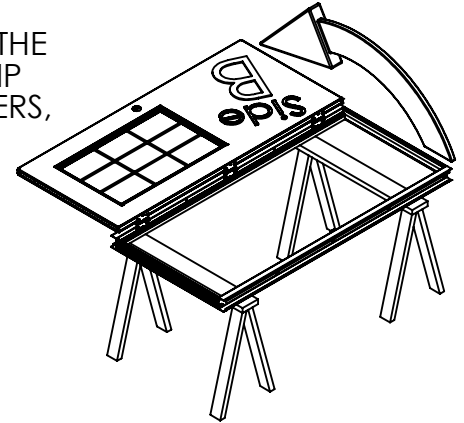
# HINGE REVERSING PROCEDURE

*for PreHung 4-WAY DOORS with*  
**FACTORY-INSTALLED WINDOW or DEADBOLT PREP\***

1. LAY THE DOOR ON SAW HORSES WITH THE HINGE KNUCKLES UP.



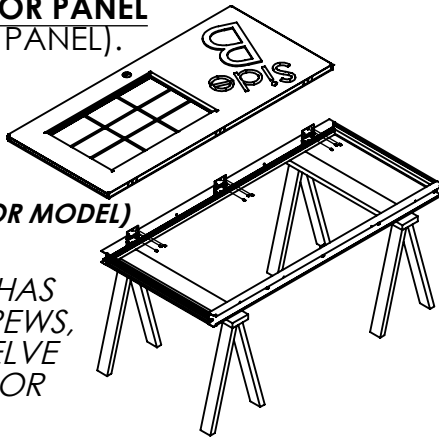
2. AFTER REMOVING THE THE RETAINING CLIP AND FRAME SPACERS, OPEN THE DOOR.



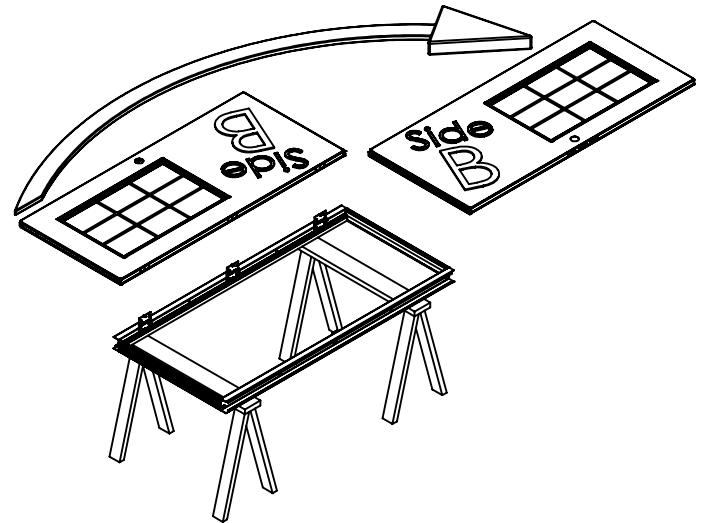
3. REMOVE THE HINGE SCREWS FROM THE **DOOR PANEL** (THEN LIFT THE PANEL).

**DRIVER REQ'D:**  
**T25 TORX** or  
**#2 PHILLIPS**  
(DEPENDING ON DOOR MODEL)

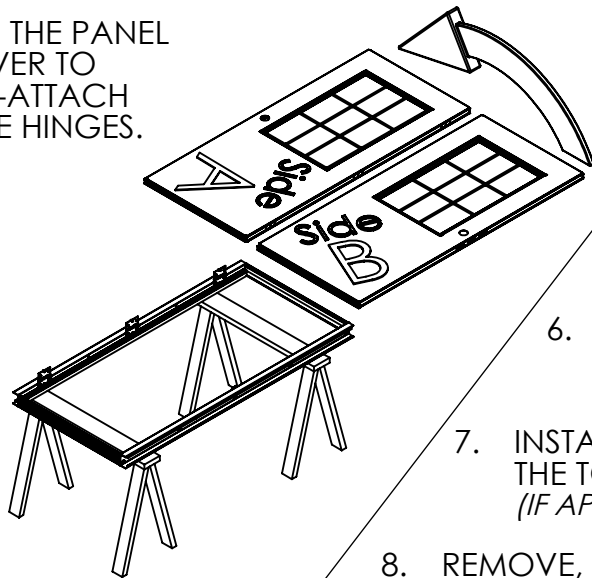
TYPICAL PANEL HAS  
NINE HINGE SCREWS,  
BUT MAY BE TWELVE  
DUE TO MODEL OR  
OPTIONS



4. TURN THE PANEL END FOR END. (DO NOT MOVE THE FRAME.)

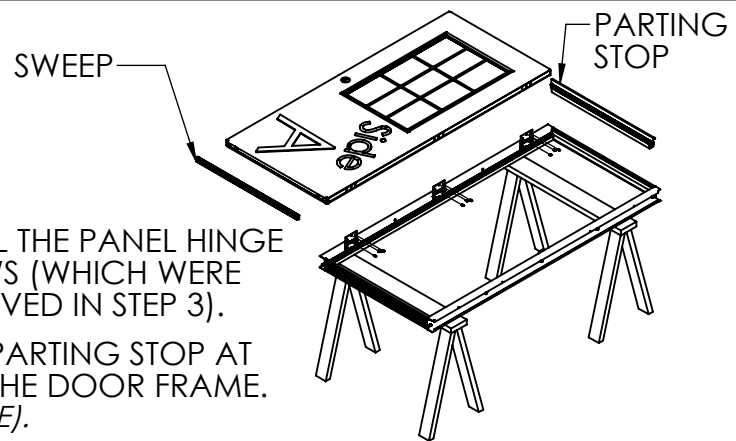


5. FLIP THE PANEL OVER TO RE-ATTACH THE HINGES.

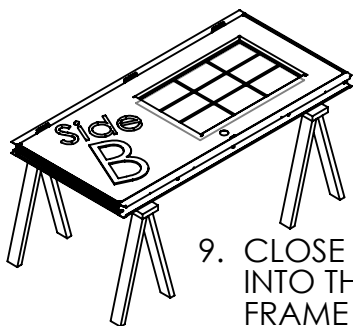


6. INSTALL THE PANEL HINGE SCREWS (WHICH WERE REMOVED IN STEP 3).

7. INSTALL THE PARTING STOP AT THE TOP OF THE DOOR FRAME. (IF APPLICABLE).



8. REMOVE, FLIP, & RE-INSTALL THE SWEEP(S) ON THE DOOR PANEL--REFER TO THE INSTRUCTION SHEET TO VERIFY CORRECT ORIENTATION.



9. CLOSE THE DOOR PANEL BACK INTO THE FRAME AND REPLACE FRAME SPACERS.

**\*NOTE:** DOORS WITHOUT LITES OR DEADBOLT PREP MAY BE ROTATED AND TURNED TO ACHIEVE THE DESIRED SWING WITHOUT REMOVING THE FRAME.  
**DRIVER REQ'D: T25 TORX** or **#2 PHILLIPS** (DEPENDING ON MODEL)



**Building Ideas**

A.J. Manufacturing, Inc. • 1217 Oak Street • Bloomer, WI 54724  
1-800-328-9448 • www.ajdoor.com

