



Building Ideas



**Lite
Commercial
5100 & 7100
Steel Walk
Doors**



www.ajdoor.com

by A.J. Manufacturing



Commercial 5100 & 7100

Steel walk doors
with steel jambs
prehung and
4-way universal

**9-Lite
Crossback**



Full View



9-Lite



Style and Strength

- Rolled edge door panel of 24-gauge polyester painted galvanized steel creates a smooth look that will complement your building
- Rolled steel edges wrap around heavy internal aluminum (5100 Series) stiles and rails that bond with the polyurethane foam to create a seamless rigid panel
- Heavy-duty 16-gauge 3 1/2" wide painted steel jambs
- 12-gauge stainless steel 4-1/2" x 4" fixed pin hinges for durability and security

Protection Against the Elements

- High-performance replaceable bulb and leaf weatherseal of extruded Santoprene® remains flexible in all temperature extremes
- Aluminum parting stop in header frame enhances weather protection
- Bulb and wand Alcryn® sweep gives greater weather resistance over ordinary PVC sweeps
- R-12 insulation value from a panel of injected polyurethane foam (2.2 pounds per cubic foot) protects against external temperatures

Distinctive Details

- 4-way universal swing prevents problems with last-minute jobsite changes
- Low-profile ADA-approved aluminum sill
- Factory prepped with aluminum reinforcing blocks at lock, deadbolt, panic hardware and closer locations to allow for flexibility during installation
- 2-3/4" backset with a 2-1/8" diameter lock bore hole

Options to Fit Your Needs

- Sizes from 2'0" to 4'0" wide and 6'8" and 7'0" high available
- Single-glazed and insulated tempered door lites
- Grids available on insulated 9-Lite and Full View Lites
- Crossback and 6-panel pattern on both interior and exterior

7100 Thermally Broken Door

When the demands of nature require higher performance



Vue Lite

6-Panel

Vent-Lite

Standard

Thermal Barrier to Reduce Wintertime Heat Loss, Summertime Heat Gain and the Risk of Interior Condensation

- Polypropylene thermal break in the 16-gauge steel jambs
- Reblocks of high density molded urethane at the lock bore, deadbolt, closer and panic hardware prep locations
- Pultruded fiberglass stiles and rails create a thermal break on the rollformed panel

Pultruded Fiberglass

Giving Superior Structure and Low Thermal Conductivity

Pultruded fiberglass ensures that your door will hold up to the weather extremes that Mother Nature emits. This high-performance material is corrosion resistant and electrically insulative.

Pultruded Fiberglass in 7100

The pultrusion process uses thousands of glass fibers and a fiber mat, which are put in a liquid resin bath. They are then pulled through a heated shaping die, producing a structurally solid part.



Building Ideas

Door Construction

24-gauge hot-dipped galvanized smooth steel panels	■	■
Flush design—rolled edges for style, strength and corrosion resistance	■	■
1-3/4" thick door pressure injected with 2.2 pounds of polyurethane foam per cubic foot	■	■
Door is mounted to frame jamb by three 12-gauge stainless steel, 4-1/2" x 4" fixed pin hinges	■	■
Door panel is strengthened with extruded aluminum reinforcing block at locations for entry lock, dead bolt, panic hardware and closer	■	
Door panel is strengthened with high density molded urethane reinforcing block at locations for entry lock, dead bolt, panic hardware and closer		■
High strength internal fiberglass reinforced pultruded stiles and rails for thermal break		■
Exposed surface of stiles coated with color matched paint	■	■

Weather Stripping

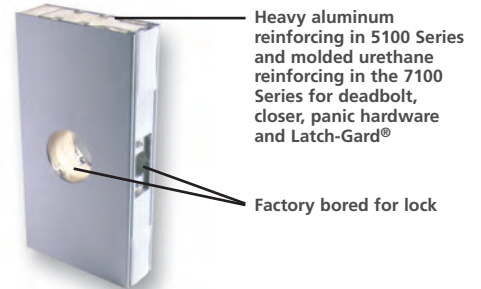
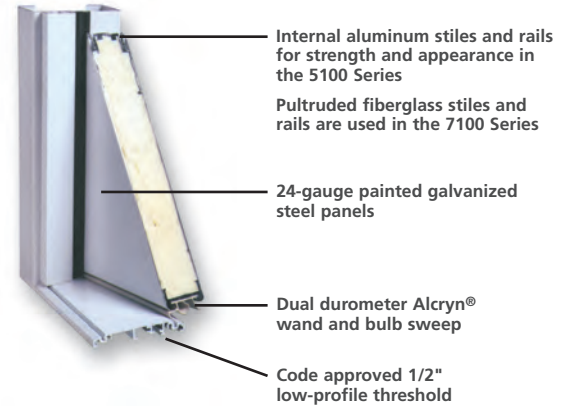
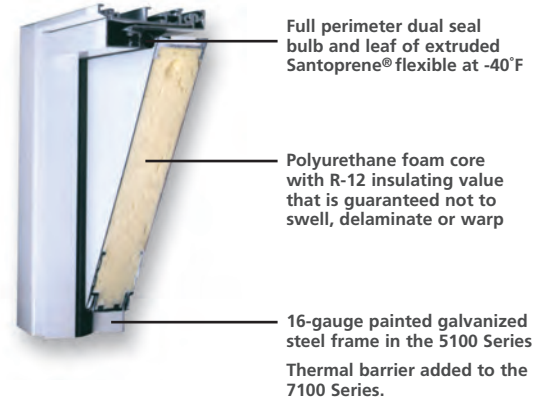
Master frame and header are weather stripped with a dual seal bulb and leaf of extruded Santoprene®	■	■
Sill sweep is a dual durometer Alcryn® consisting of two flexible wands and a center bulb with a rigid base	■	■

Panel Options

Standard panel, no lite	■	■
6-panel, no lite	■	■
22" x 22" Vue Lite insulated or single-glazed tempered glass	■	■
22" x 30" or 22" x 36" One Lite insulated tempered glass—Crossbuck and plain panels available	■	■
22" x 30" or 22" x 36" 9-Lite insulated tempered glass with a rigid aluminum grid system installed within the 1/2" dead air space—Crossbuck and plain panels available	■	■
22" x 36" Vent-Lite available in crossbuck or plain panels	■	■
22" x 64" Fullview sealed insulated glass consisting of two pieces of 1/8" tempered glass with 1/2" dead air space	■	■

Colors

White, bronze, brown, and clay are standard, custom colors are available. Contact Customer Service for availability by model and size.



A. J. Manufacturing, Inc.
 1217 Oak Street
 Bloomer, WI 54724
 1-800-328-9448 • 715-568-2204
 www.ajdoor.com

A Rainbow of Custom Colors!

Available



Building Ideas

