

Installation Instructions For 310 Series Windows

CAUTION: If this product is being installed next to a copper based wood preservative, a barrier **must be** installed between the treated lumber and this product to prevent a reaction between the metal and the preservative.

1. The trim frame system on this window is designed to allow the window to be installed into the wall **AFTER** the steel siding has been applied to the building.
2. The rough opening must be square, plumb and the correct nominal size to meet the manufacturer's recommendations, i.e. a 4/0 x 3/0 window unit requires a 48" x 36" wood rough opening.
3. Be certain that when planning the location of the window openings. That both vertical edges of the window opening will be in the flat areas of the corrugated siding.
4. Be certain that no part of the siding extends into the rough opening at the top, bottom or sides. **See the drawings on pages three and four to observe the two options for installation, depending on how the siding is cut at the bottom of the opening.**
5. Do not nail the siding any closer than 12" from the edges of the rough opening until after the window unit is installed.
6. Be certain that the steel siding along the vertical sides of the opening is smooth and flat so that the bulb weatherseal in the E-Z Fit trim frame vertical members will seal against the siding.
7. Make a horizontal cut in the steel, 1 3/8" long, at the top corner on each side of the opening in the steel siding and 3/8" long on each side at the bottom of the opening. Be certain that the cut is flush with the top and bottom edge of the opening in the siding.
8. To install the window into the opening, hold the unit at an angle to the wall, with the top of the unit nearest the wall and the bottom of the unit extended out away from the wall.
9. Insert the 2" long nailing fin on the top of the E-Z Fit frame header between the siding and the wood header of the rough opening. Slide the window up and into the opening in one motion. See figure #1 below.

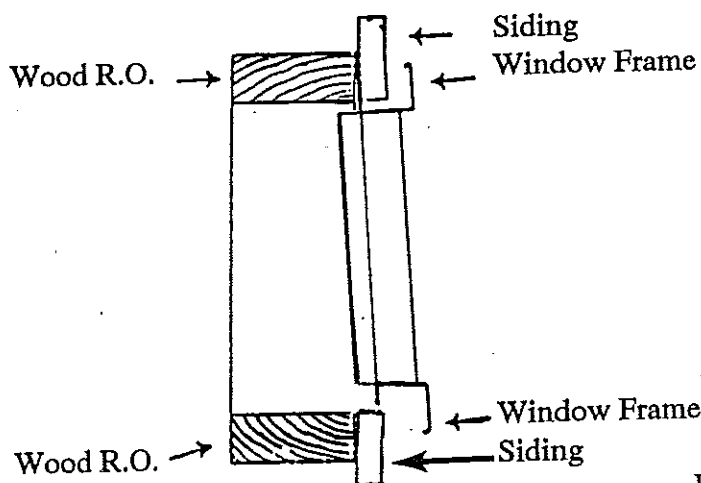
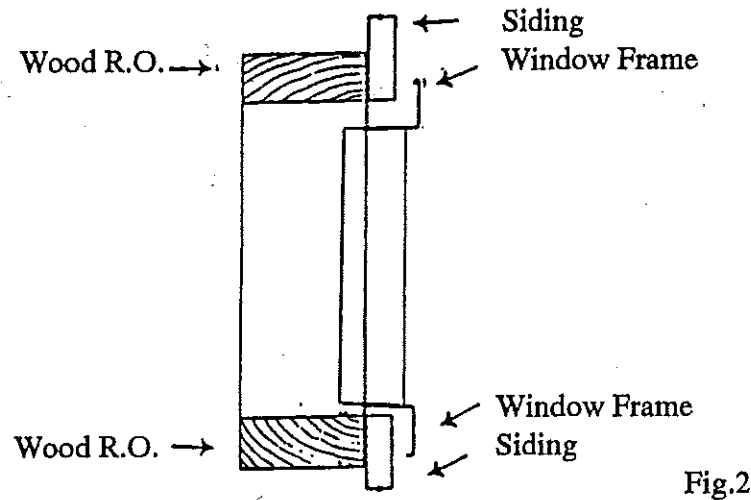


Fig.1

10. After the window unit is pushed all the way to the top of the opening and in tight against the siding, slide the unit down to the wood sill of the rough opening, with the 5/16" long fin of the E-Z Fit frame sill sliding between the siding and the wood frame sill. See figure #2 below.



11. Check the unit to be certain it is level, plumb and resting on the wood sill of the opening.
12. Use screws or nails to fasten the unit to the wall at the head and sill only.
13. Insert the fasteners as close to the window frame as possible without contacting and/or damaging the window frame.
14. The fasteners at the top of the unit frame should pass through the siding, the window frame nailing fin and then into the wood frame of the rough opening. The fasteners at the bottom of the unit should pass through the siding only and into the wood of the rough opening. The 5/16" long fin on the bottom of the frame will then be clamped between the siding and the wood frame. The unit does not need to be attached to wood rough opening frame at the side jambs,
15. Caulk the top of the unit, starting at the beginning of the 1 3/8" horizontal slot in the siding to the first corrugation. Do this on both sides of the frame header. It is not necessary to caulk across the entire length of the top of the unit.
16. Caulk the bottom of the unit from the edge of the rough opening to the first rib also.
17. Due to the design of the window and the use of the bulb weatherseal in the verticals, it is not necessary to caulk along the sides of the unit.
18. Check the unit for ease of operation.
19. Before installing the inside trim, we recommend packing fiberglass insulation between the aluminum window frame and the wood rough opening frame to reduce thermal conductivity through the air space.

