

The logo features two stylized window panes, one green and one blue, positioned to the left of the brand name.

Harmony

V I N Y L W I N D O W S



**ENERGY EFFICIENT
VINYL WINDOWS**



Residential



Commercial

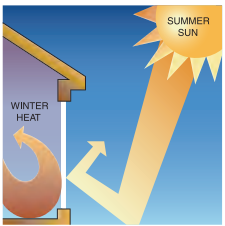


Post Frame

Thank you for considering Harmony Vinyl Windows from A.J. Manufacturing for your project. We hope to earn your trust by sharing our story of Product Quality and Performance, Commitment and Understanding, and Experience. All of the employees of A.J. appreciate the opportunity to share their good work and look forward to our products and services being an important part of your project.

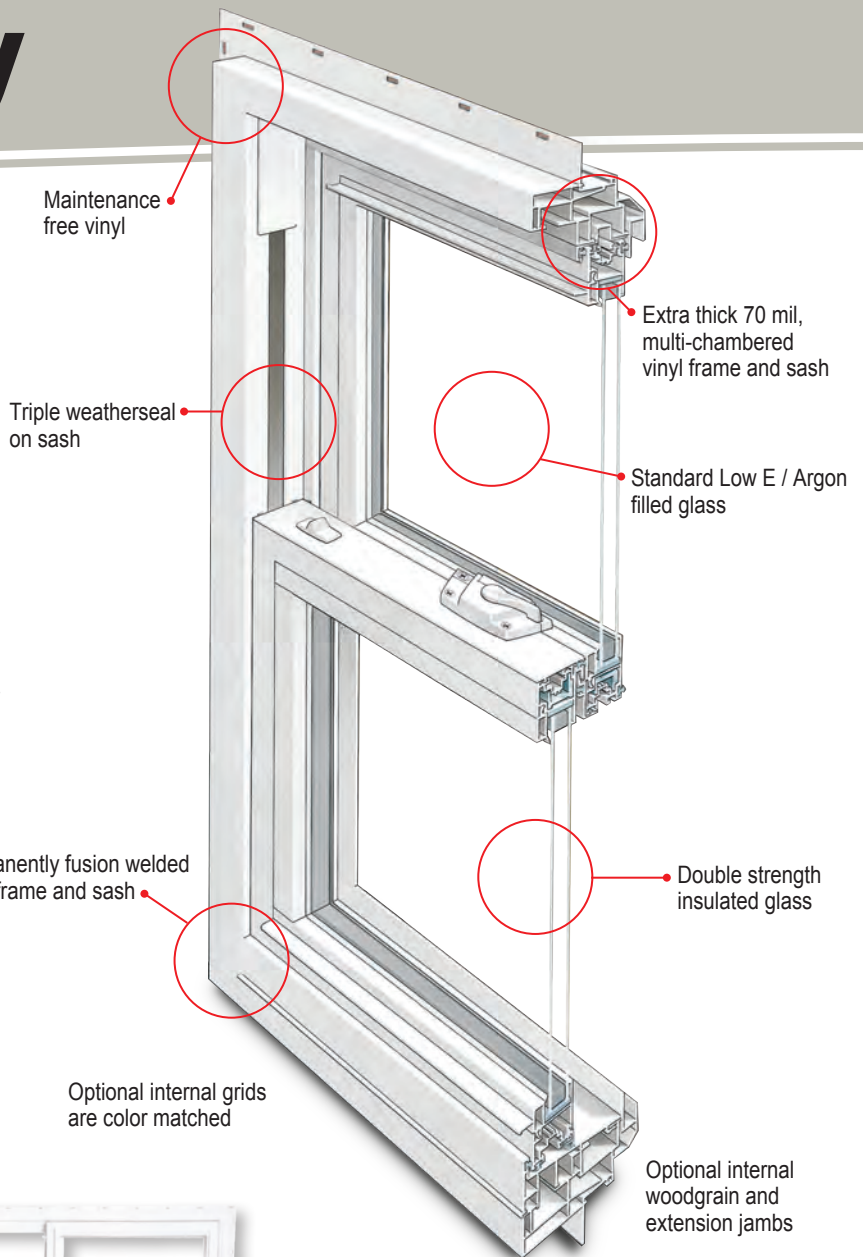
A.J. Manufacturing has a rich history of product innovation and manufacturing excellence that spans over 60 years. The quality and performance of our products would not be possible if not for the dedication and skill of our employees.

All Harmony Windows Include:



Keeps You Comfortable In Any Climate

Low E / Argon glass keeps you warmer in the winter and cooler in the summer while letting in plenty of natural light.



DOUBLE HUNG



3 LITE SLIDER



DOUBLE SLIDER

SINGLE/DOUBLE HUNG & SLIDER WINDOWS

- Full screen standard
- Single/Double Hung Windows have dual cam locks on all windows over 26" wide
- Single/Double Slider Windows have dual cam locks on all windows over 26" tall
- Constant force balances neutralize sash weight for easy opening, never needs adjusting, and will provide years of trouble free operation
- Positive interlock with dual weather strip assures a tighter seal at the meeting rail providing an additional air barrier resulting in less heat loss
- Sashes tilt in for easy cleaning
- Can be factory mulled to create multiple units
- Triple weather strip on sash



CASEMENT & AWNING WINDOWS

- Full screen standard
- Dual Casement Operator on all windows 24" and wider allows nearly effortless operation of even the largest casement windows with fold away handles
- Full opening hardware allows the exterior glass to be cleaned from the inside
- Multi-point locking system creates a dependable tight seal from the inside
- Can be factory mulled to create twin or triple units



OPERATING / FIXED / OPERATING CASEMENT



FIXED LITE PICTURE & ARCHITECTURAL WINDOWS

- Can be factory mulled to operating units
- Provides a unique look



DOUBLE OPERATING CASEMENT WITH HALF ROUND



7500 PATIO DOOR

SLIDING PATIO DOORS

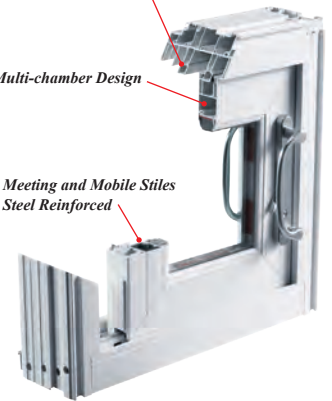
Designed to work like a charm—with performance that's built to last. Installer-friendly design and room for panel adjustment mean uneven surfaces are never a problem—it's a snap to plumb and square a Harmony door.

- Color matched to Harmony Windows
- Smooth and quiet operation with patented dual-tandem nylon wheels and a raised rail to protect the wheels from dirt and debris
- Multi-chamber design to reduce thermal exchange and increased air spaces
- Low E / Argon Standard IGU

Multiple Weather Stripping Virtually Eliminates Air Infiltration

Multi-chamber Design

Meeting and Mobile Stiles Steel Reinforced



EZ-v™ TRIM SYSTEM

A.J. patented EZ-v trim, installation and flashing system offers an easy installation with a leak free and attractive finish into steel clad buildings.

- EZ-v is available painted in a rainbow of colors
- Easy to install
- Leak free
- Tolerant of thermal expansion and contraction
- Doesn't require a subsequent application of J-Channel
- Patented vinyl trim for vinyl windows designed for the post frame industry
- Solar reflective packaging

The benefits of using the EZ-v system includes a dramatic reduction of installation labor. The EZ-v system diverts all the water to the exterior of the building ensuring a leak free installation.



INSULATED SLIDER WITH WHITE EZ-v

INSULATED SLIDER WITH GREEN EZ-v



Follow this QR Code to see how the best flashed window in post frame is installed.



| | SINGLE HUNG | DOUBLE HUNG | SINGLE SLIDER | DOUBLE SLIDER | PICTURE WINDOW | OPERATING CASEMENT | FIXED CASEMENT | AWNING |
|--|-------------|-------------|---------------|---------------|----------------|--------------------|----------------|--------|
| Frame/Sash Construction | | | | | | | | |
| Maintenance-free frame and sash construction (requires no painting or staining ever) | ■ | ■ | ■ | ■ | ■ | ■ | ■ | ■ |
| Easy open constant force balancing system for steady, even sash operation | ■ | ■ | | | | | | |
| Extra thick (70 mil) extruded, multi-chambered vinyl mainframe and sash create many airspaces for better insulating value and added strength | ■ | ■ | ■ | ■ | ■ | ■ | ■ | ■ |
| Permanently fusion welded main frame and sash | ■ | ■ | ■ | ■ | ■ | ■ | ■ | ■ |
| Removable operating sash for interior cleaning access | ■ | ■ | ■ | ■ | | | | |
| Window Unit Glass & Screen Construction | | | | | | | | |
| Sash interlock system for weatherproof, bug-proof, rattle-proof draft barrier | ■ | ■ | ■ | ■ | | | | |
| 7/8" thick insulating glass | ■ | ■ | ■ | ■ | ■ | ■ | ■ | ■ |
| Double strength glass | ■ | ■ | ■ | ■ | ■ | ■ | ■ | ■ |
| Low E / Argon glass | ■ | ■ | ■ | ■ | ■ | ■ | ■ | ■ |
| Removable rust/insect proof fiberglass mesh screen | ■ | ■ | ■ | ■ | | ■ | | ■ |
| Available with enclosed grids | ■ | ■ | ■ | ■ | ■ | ■ | ■ | ■ |
| Weatherseal | | | | | | | | |
| Nonabsorbent woven polypropylene pile | ■ | ■ | ■ | ■ | ■ | ■ | ■ | ■ |
| Triple weatherseal | ■ | ■ | ■ | ■ | | ■ | ■ | ■ |
| Hardware | | | | | | | | |
| Painted zinc die cast cam-type sash locks | ■ | ■ | ■ | ■ | | ■ | | ■ |
| Installation Options | | | | | | | | |
| Patented EZ-V™ Trim & Flashing System, can be color matched | ■ | ■ | ■ | ■ | ■ | ■ | ■ | ■ |
| Nailing Fin | ■ | ■ | ■ | ■ | ■ | ■ | ■ | ■ |
| 1" J-Channel, can be color matched | ■ | ■ | ■ | ■ | ■ | ■ | ■ | ■ |
| Interior Colors | | | | | | | | |
| Champagne | ■ | ■ | ■ | ■ | ■ | ■ | ■ | ■ |
| White | ■ | ■ | ■ | ■ | ■ | ■ | ■ | ■ |
| Tan | ■ | ■ | ■ | ■ | ■ | ■ | ■ | ■ |
| Light Oak Woodgrain <i>(available with white or painted exterior)</i> | ■ | ■ | ■ | ■ | ■ | ■ | ■ | ■ |
| Dark Oak Woodgrain <i>(available with white or painted exterior)</i> | ■ | ■ | ■ | ■ | ■ | ■ | ■ | ■ |
| Exterior Colors | | | | | | | | |
| Champagne | ■ | ■ | ■ | ■ | ■ | ■ | ■ | ■ |
| White | ■ | ■ | ■ | ■ | ■ | ■ | ■ | ■ |
| Tan | ■ | ■ | ■ | ■ | ■ | ■ | ■ | ■ |
| Custom Painted | ■ | ■ | ■ | ■ | ■ | ■ | ■ | ■ |



Building Ideas

A.J. Manufacturing, Inc.
 1217 Oak Street
 Bloomer, WI 54724
 800.328.9448 715.568.2204
 www.ajdoor.com



Harmony Windows are Available in These Colors

Interior:



Exterior:

