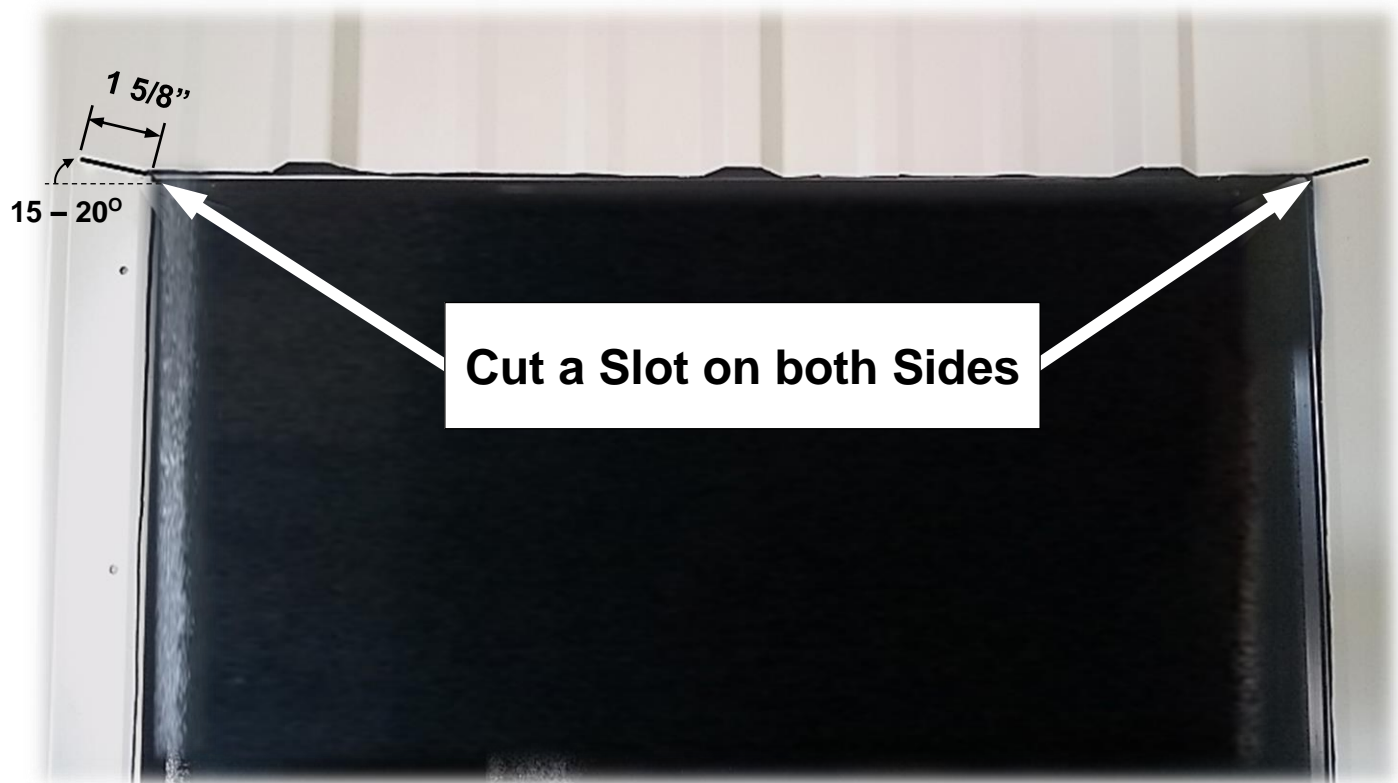


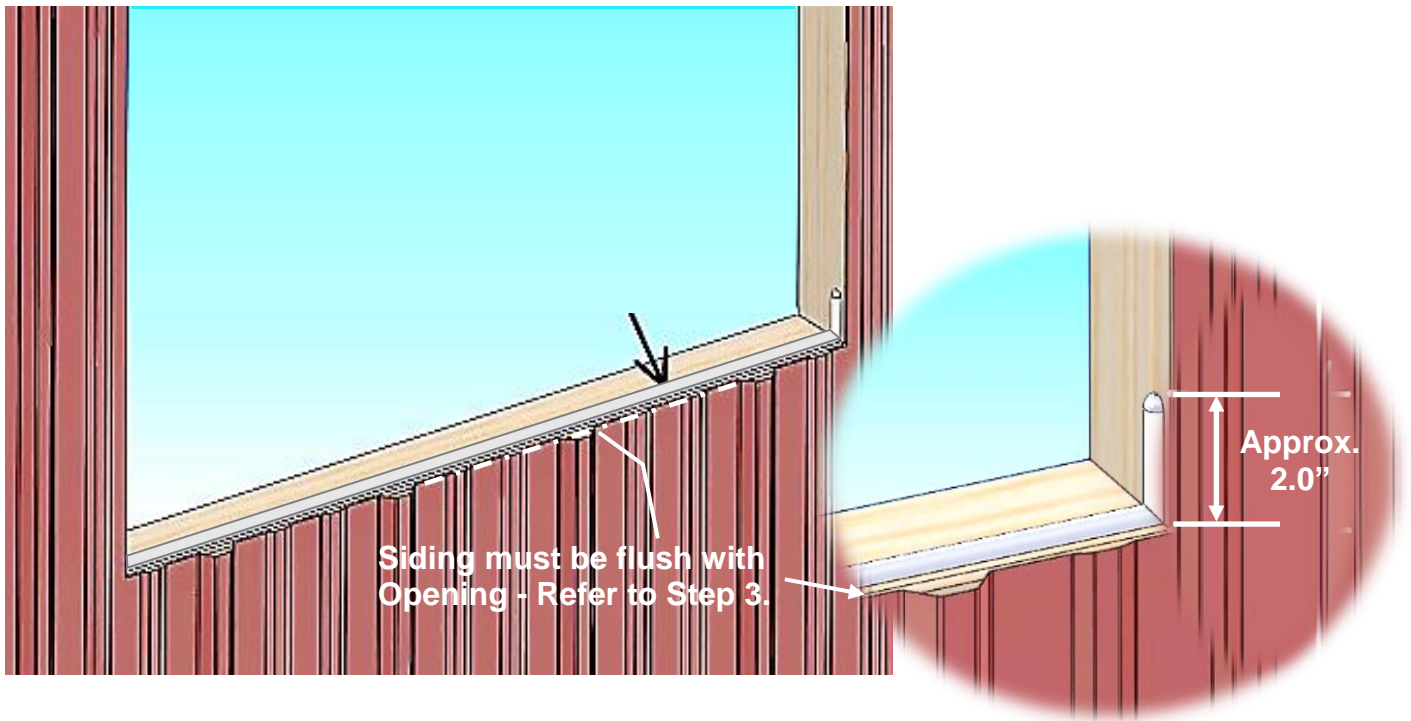
Installation Instructions for Main Street and Harmony Windows With EZ-V™ Trim

*The trim frame system on this window is designed to allow the window to be installed into the wall **AFTER** the steel siding has been applied to the building.*

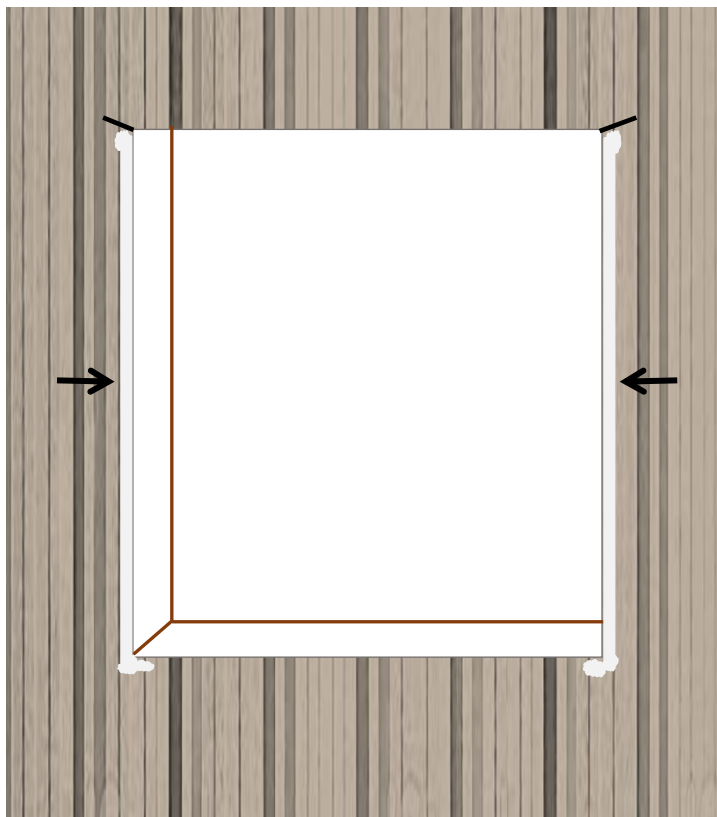
1. The rough opening must be square, plumb and the correct nominal size to meet the manufacturer's specifications, i.e. a 4/0 x 3/0 window unit requires a 48" x 36" wood rough opening.
2. Be certain, when planning the location of the window openings, that both vertical edges of the window opening will be in the flat areas of the corrugated siding, at least 1½ inches from the nearest major rib.
3. Make certain that no part of the siding extends into the rough opening at the top, bottom or either side. It is **very critical** that the steel at the bottom of the rough opening **is not** cut below the edge of the wood rough opening. Be certain that all cuts are as smooth and straight as possible. Straighten and remove any burrs or bends with a pliers.
4. Do not nail or screw the siding any closer than 12" from the edges of the rough opening until after the window unit is installed.
5. Be certain that the steel siding along the vertical sides of the opening is smooth and flat so that the foam weatherseal in the EZ-V trim frame vertical base strips will seal against the siding.
6. Make a cut in the steel, 1-5/8" long, at the top corner on each side of the opening in the siding. Be certain that the cut is even with the top edge of the opening in the siding and is as smooth and straight as possible. Angling the cut upwards 15 – 20 degrees will aid in inserting the EZ-V header fin:



7. Apply a 3/8" – 1/2" bead of sealant across the top face of the entire sill, approximately 1/4" from the outside edge of the opening. Also apply sealant from the bottom corners up approximately 2" on both sides,

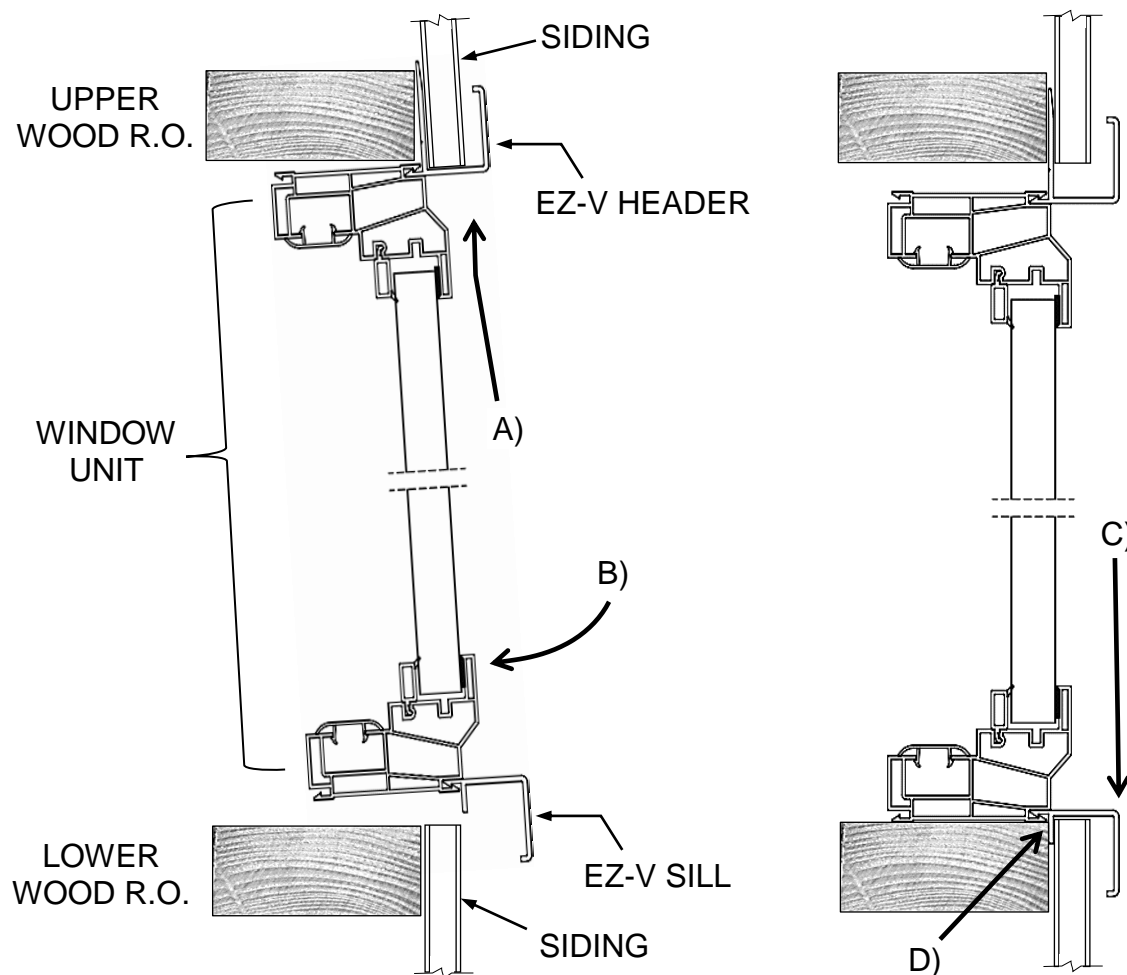


8. Apply sealant to the siding face on both Vertical sides, starting just below the top corner slots, with a 3/8" – 1/2" bead extending down slightly past the sill. Also apply a dab of sealant between the siding and wood at the bottom two Sill corners.



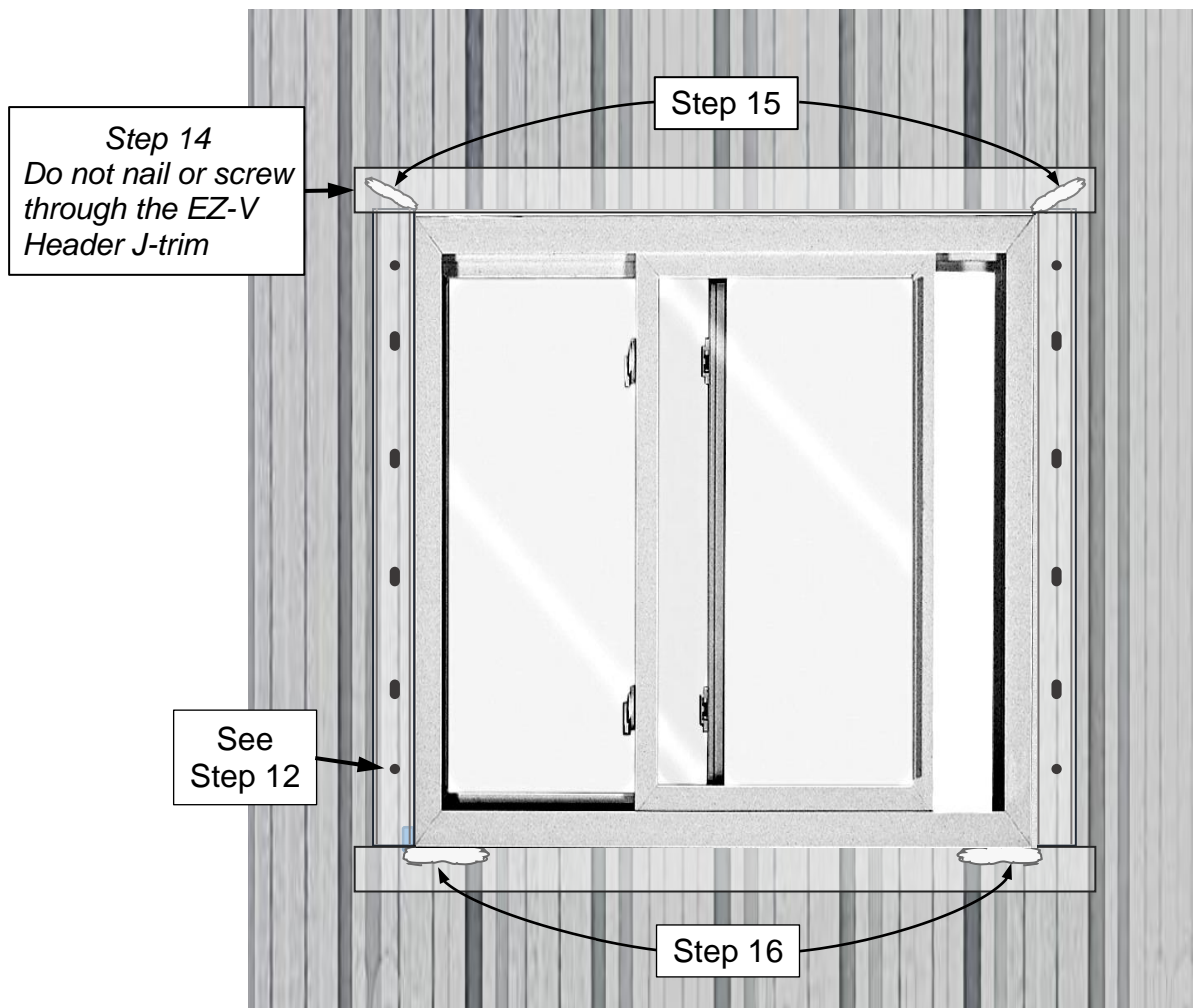
9. To install the window into the opening, hold the unit at an angle to the wall, with the top of the unit nearest the wall and the bottom of the unit extended out. If necessary, install wood or cardboard shims between the siding and the wood rough opening, top and bottom, to provide a space between the two. These will fall out of the way as the window is installed.
10. Using the cut corner slots Insert the 2" long fin on the top of the EZ-V frame header between the siding and the wood header of the upper rough opening:
 - A) Slide the window unit up until it stops,
 - B) Swing the bottom into the opening,
 - C) Slide window unit down until it rests on the lower Rough opening, D) making sure the short fin on the EZ-V Sill inserts between the wood and siding of the lower rough opening.

The window frame MUST sit directly on the wood surface of the Lower Opening



11. Check the unit to be sure it is resting solidly on the wood sill and square by slightly opening the operating sash 1/8" to be sure that reveal is even top to bottom or right to left. If the reveal is not even, reset the window until the reveal is even.
12. Use screws or nails through the, **round bottom**, holes first to secure the window to the rough opening. These fasteners **should be** fully installed and secured.
13. Insert fasteners into the remaining **slotted** holes next. These fasteners **should not** be fully installed but rather lightly tightened down to allow for possible thermal expansion and contraction of the vinyl parts.

14. Install the fasteners at the top and bottom of the windows through the siding as close as possible to the J-channel without going through the flange behind the siding. The flange will be clamped between the siding and the wood frame but should not have screws go through it to allow for thermal expansion.
15. Caulk the top of the unit, starting at the beginning of the 1 5/8" horizontal slot in the siding to the first corrugation. Do this on both sides of the frame header. It is not necessary to caulk across the entire length of the top of the unit.
16. Caulk the bottom of the unit from the edge of the rough opening to the top of the first rib.



17. Attach the vertical Brick Mold covers to the nail fin base strip by engaging the **inside** hook into the groove in the base toward the window unit. Roll the cover over the leg of the base strip and press down until the **outside** hook engages with the groove in the strip.
18. Check the window unit for ease of operation.
19. Before installing the inside trim, we recommend packing fiberglass insulation, or spray foam designated for windows, between the window frame and the wood rough opening frame to reduce thermal conductivity through the air space.

IMPORTANT NOTE: DO NOT STORE VINYL WINDOWS IN DIRECT SUNLIGHT AS WARPING MAY OCCUR!!!